

TECHNICAL SPECIFICATIONS

Materials:	6061T6 Aluminum Black Anodized	Weight:	SLI 4 x 1 = 9 lbs. 4.1 kg SLI 4 x 2 = 12 lbs. 5.5 kg SLI 4 x 3 = 15 lbs. 6.8 kg
Rated Working Pressure:	3000 PSI 206 BAR	Mounting Bracket:	3 lbs. 1.4 kg
Bypass Valve:	None	Running Elements:	3 Micron (B3 = 200) 3000 PSID Collapse
Seals:	Buna N - Standard Viton - Optional	Flushing Elements:	3 Micron (B3 = 200) 150 PSID Collapse
Ports:	SAE Straight Thread	Dirt Alarms:	Visual (100 PSID) Electrical (100 PSID)
Temperature Range:	-45°F to +225°F -43°C to +107°C		

ELEMENT SIZE SELECTION CHART

3 MICRON ABSOLUTE		CLEAN OIL GPM RATINGS @			
LENGTH	PART NO.	10 PSID	15 PSID	20 PSID	25 PSID
4"	H400304	5	8	11	14
8"	H400308	11	17	23	29
13"	H400313	18	27	36	45

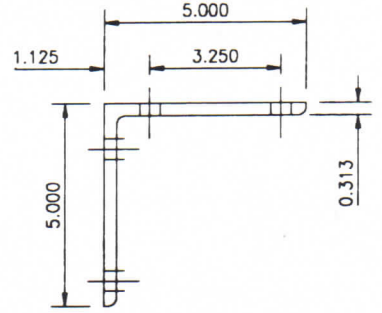
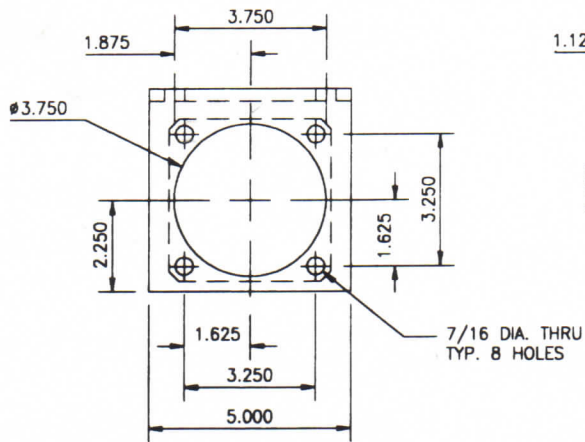
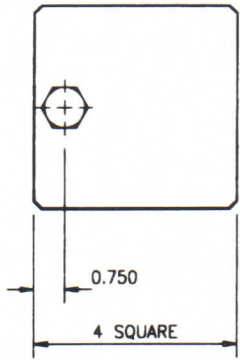
FILTER ASSEMBLY ORDERING INFORMATION

Series	Port Size	Element Length	Micron Rating	Seals	Options: Order separately by following part numbers.		
SLI	40	2	A	N	Dirt Alarm	*Flushing Element	Mounting Bracket
	40 = -16 SAE Str. Thd.	1 = 4" 2 = 8" 3 = 13"	A = 3 Micron B = Other	N = Buna N V = Viton	Visual VTB100 Electrical ETB100-XXXV Visual Electrical VETB100-XXXV	4" L450304 8" L450308 13" L450313	9ID267 c/w Bolts 4-3/8" UNC x 1"

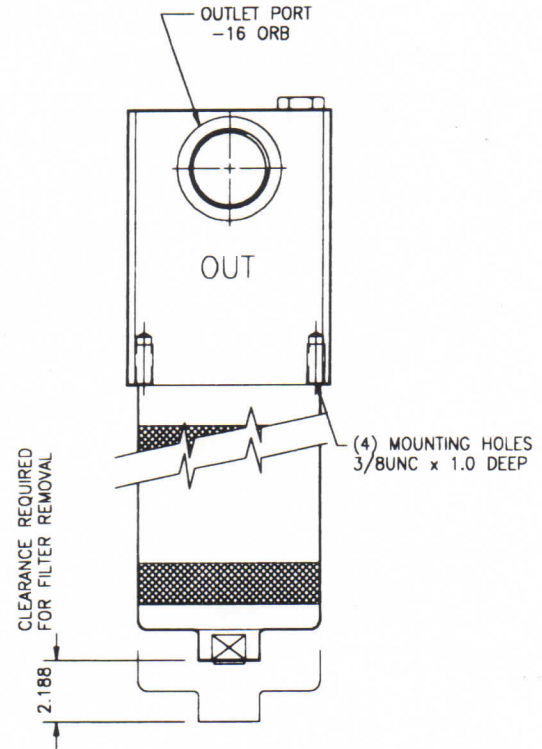
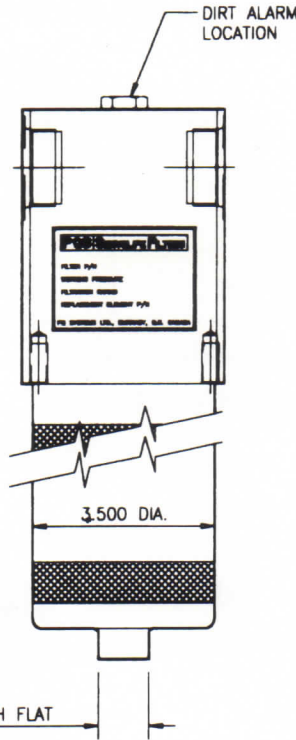
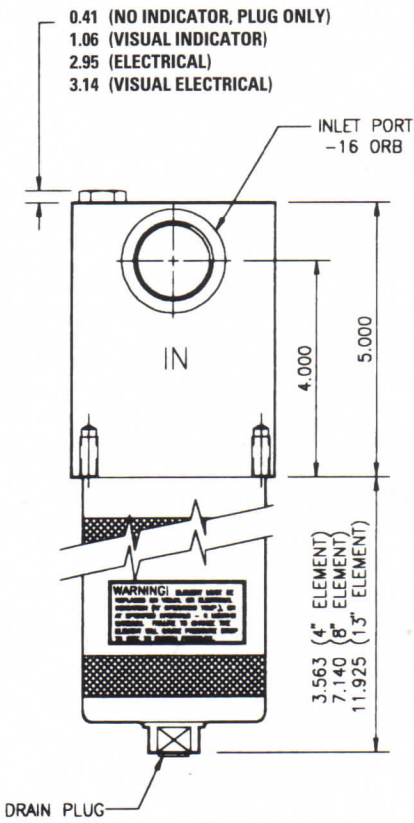
*WARNING!

Flushing Element must be removed and replaced with high pressure Running Element before any machine operation at full system pressure occurs.

SLI40 INLINE MOUNT



MOUNTING BRACKET



SPECIFICATIONS SUBJECT TO CHANGE WITHOUT NOTICE

PQS SERVOLIFE FILTERS

PQ SYSTEMS LTD.
A2 - 5279 Still Creek Avenue
Burnaby, British Columbia
Canada V5C 5V1

Tel: (604) 299-0022
Fax: (604) 299-8453
E-mail: info@pqsystems ltd.com
<http://www.pqsystems ltd.com>